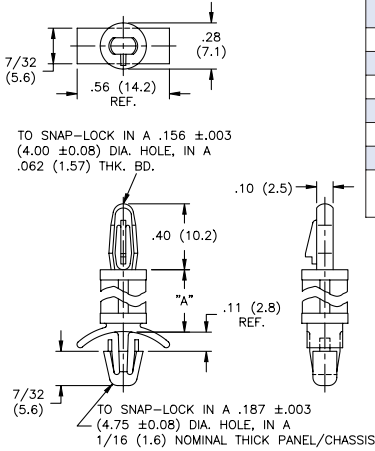


# CIRCUIT BOARD HARDWARE

## LCBS

### Locking Circuit Board Support



Material: Nylon 6/6, RMS-01 •Color: Blue	
Part Number	Standard Pack: 1,000 per bag "A" ± 0.4 mm
LCBS-6M-01	6.0 mm
LCBS-8M-01	8.0 mm
LCBS-10M-01	10.0 mm
LCBS-12M-01	12.0 mm
LCBS-14M-01	14.0 mm
LCBS-16M-01	16.0 mm
Part available in V-0 material by special order. To order, replace -01 with -19	

Mat'l: Nylon 6/6, RMS-01 Color: Natural Part Number	Mat'l: Flame Ret. Nyl. 6/6, RMS-19 Color: Natural Part Number	Standard Pack: 1,000 per bag "A" ± .015 (0.4)
LCBS-3-01	LCBS-3-19	3/16 (4.8)
LCBS-4-01	LCBS-4-19	1/4 (6.4)
LCBS-5-01	LCBS-5-19	5/16 (7.9)
LCBS-6-01	LCBS-6-19	3/8 (9.5)
LCBS-7-01	LCBS-7-19	7/16 (11.1)
LCBS-8-01	LCBS-8-19	1/2 (12.7)
LCBS-10-01	LCBS-10-19	5/8 (15.9)
LCBS-12-01	LCBS-12-19	3/4 (19.1)
LCBS-14-01	LCBS-14-19	7/8 (22.2)
LCBS-16-01	LCBS-16-19	1 (25.4)
LCBS-18-01	LCBS-18-19	1-1/8 (28.6)
LCBS-20-01	LCBS-20-19	1-1/4 (31.7)
LCBS-22-01	LCBS-22-19	1-3/8 (34.9)

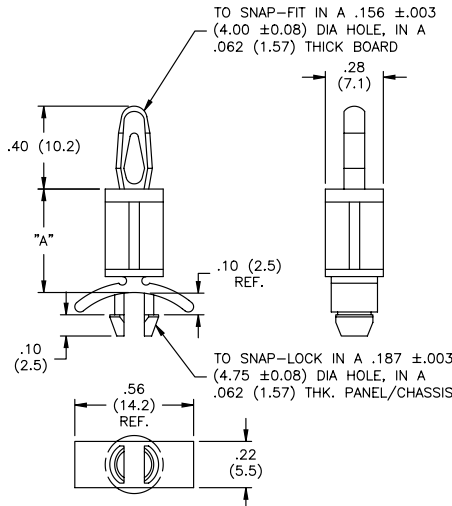
"Impact Modified" Nylon 6/6, RMS-73 material available by special order. To order, replace -01 with -73.

LCBS-4-XX-01 with Non-Locking Bayonet Nose (CBS-style) top available by special order. LCBS-4 available in V-0 material by special order. To order replace -01 with -19.

Patent Nos. 3,777,052 & 3,909,883

## CBS

### Circuit Board Support



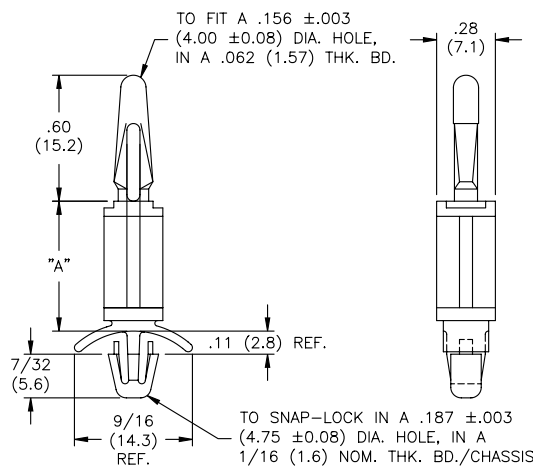
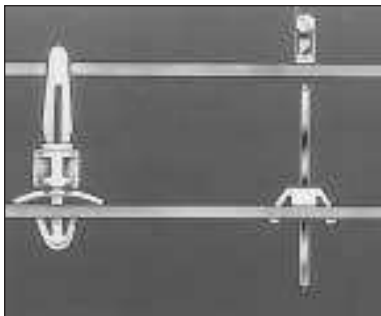
Mat'l: Nylon 6/6, RMS-01 Color: Natural Part Number	Mat'l: Flame Ret. Nyl. 6/6, RMS-19 Color: Natural Part Number	Standard Pack: 1,000 per bag "A" ± .015(0.4)
CBS-3-01	CBS-3-19	3/16 (4.8)
CBS-4-01	CBS-4-19	1/4 (6.4)
CBS-6-01	CBS-6-19	3/8 (9.5)
CBS-8-01	CBS-8-19	1/2 (12.7)
CBS-10-01	CBS-10-19	5/8 (15.9)
CBS-12-01	CBS-12-19	3/4 (19.1)
CBS-14-01	CBS-14-19	7/8 (22.2)

LCBS-5-XX-01 with Locking Bayonet Nose (LCBS-style) top available by special order. LCBS-5 available in V-0 material by special order. To order replace -01 with -19.

Patent Nos. 3,688,635

## LNCBS

### Long Nose Circuit Board Support



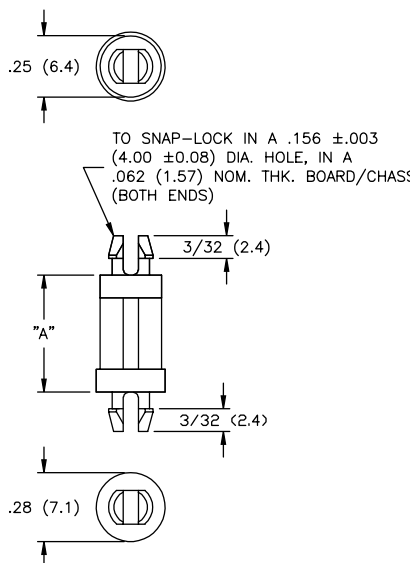
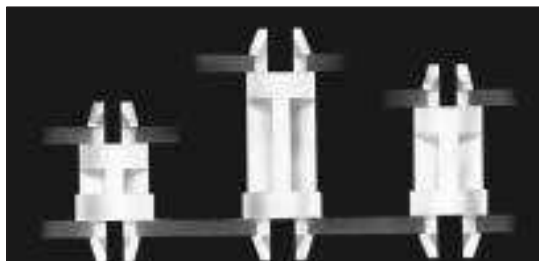
Mat'l: Nylon 6/6, RMS-01 Color: Natural Part Number	Mat'l: Flame Ret. Nyl. 6/6, RMS-19 Color: Natural Part Number	Standard Pack: 1,000 per bag "A" ± .015(0.4)
LNCBS-3-01	LNCBS-3-19	3/16 (4.8)
LNCBS-4-01	LNCBS-4-19	1/4 (6.4)
LNCBS-6-01	LNCBS-6-19	3/8 (9.5)
LNCBS-8-01	LNCBS-8-19	1/2 (12.7)
LNCBS-10-01	LNCBS-10-19	5/8 (15.9)
LNCBS-12-01	LNCBS-12-19	3/4 (19.1)
LNCBS-14-01	LNCBS-14-19	7/8 (22.2)

#### Highlights

- Automatically locates and aligns connector pins with socket.

# CIRCUIT BOARD HARDWARE

## SP-1 Support Post



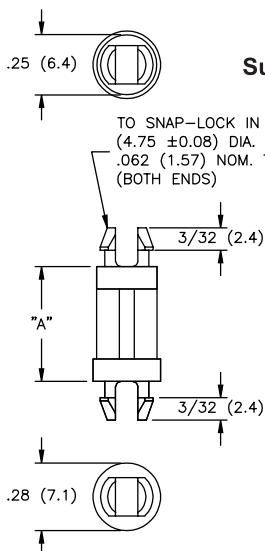
Material: Nylon 6/6, RMS-01  
Color: Natural

Part Number	Standard Pack: 1,000 per bag
	"A" ± .015 (0.4)
SP1-3-01	3/16 (4.8)
SP1-4-01	1/4 (6.4)
SP1-6-01	3/8 (9.5)
SP1-8-01	1/2 (12.7)
SP1-10-01	5/8 (15.9)
SP1-12-01	3/4 (19.1)
SP1-14-01	7/8 (22.2)
SP1-16-01	1 (25.4)

Part available in V-0 material by special order. To order, replace -01 with -19.

A

## SP-2 Support Post

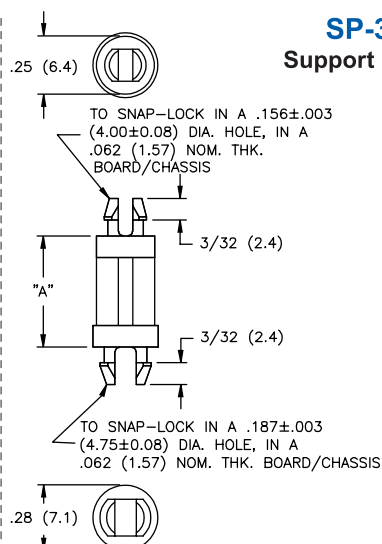


Material: Nylon 6/6, RMS-01 • Color: Natural

Part Number	Standard Pack: 1,000 per bag
	"A" ± .015 (0.4)
SP2-3-01	3/16 (4.8)
SP2-4-01	1/4 (6.4)
SP2-6-01	3/8 (9.5)
SP2-8-01	1/2 (12.7)
SP2-10-01	5/8 (15.9)
SP2-12-01	3/4 (19.1)
SP2-14-01	7/8 (22.2)
SP2-16-01	1 (25.4)

Part available in V-0 material by special order. To order, replace -01 with -19.

## SP-3 Support Post

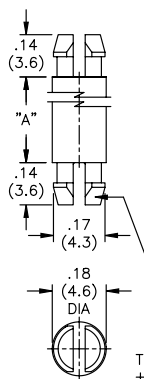


Material: Nylon 6/6, RMS-01  
Color: Natural

Part Number	Standard Pack: 1,000 per bag
	"A" ± .015 (0.4)
SP3-3-01	3/16 (4.8)
SP3-4-01	1/4 (6.4)
SP3-6-01	3/8 (9.5)
SP3-8-01	1/2 (12.7)
SP3-10-01	5/8 (15.9)
SP3-12-01	3/4 (19.1)
SP3-14-01	7/8 (22.2)
SP3-16-01	1 (25.4)

Part available in V-0 material by special order. To order, replace -01 with -19.

## DLMSP Dual Locking Mini Support Post

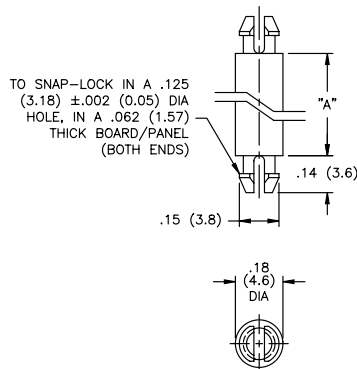


Material: Nylon 6/6, RMS-01  
Color: Natural

Part Number	Standard Pack: 1,000 per bag
	"A" ± .015 (0.4)
DLMSP-2-01	1/8 (3.2)
DLMSP-3-01	3/16 (4.8)
DLMSP-4-01	1/4 (6.4)
DLMSP-5-01	5/16 (7.9)
DLMSP-6-01	3/8 (9.5)
DLMSP-7-01	7/16 (11.1)
DLMSP-8-01	1/2 (12.7)
DLMSP-9-01	9/16 (14.3)
DLMSP-10-01	5/8 (15.9)
DLMSP-12-01	3/4 (19.1)
DLMSP-14-01	7/8 (22.2)
DLMSP-16-01	1 (25.4)
DLMSP-18-01	1-1/8 (28.6)
DLMSP-20-01	1-1/4 (31.7)
DLMSP-22-01	1-3/8 (34.9)
DLMSP-24-01	1-1/2 (38.1)

Part available in V-0 material by special order. To order, replace -01 with -19.

## DLMSPM Dual Locking Mini Support Post, Micro



Material: Nylon 6/6 RMS-01  
Color: Natural

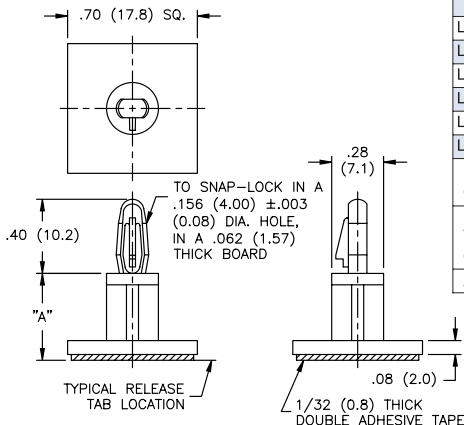
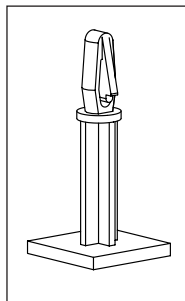
Part Number	Standard Pack: 1,000 per bag
	"A" ± .015 (0.4)
DLMSPM-2-01	1/8 (3.2)
DLMSPM-3-01	3/16 (4.8)
DLMSPM-4-01	1/4 (6.4)
DLMSPM-5-01	5/16 (7.9)
DLMSPM-6-01	3/8 (9.5)
DLMSPM-7-01	7/16 (11.1)
DLMSPM-8-01	1/2 (12.7)
DLMSPM-9-01	9/16 (14.3)
DLMSPM-10-01	5/8 (15.9)
DLMSPM-12-01	3/4 (19.1)
DLMSPM-13-01	13/16 (20.6)
DLMSPM-14-01	7/8 (22.2)
DLMSPM-16-01	1 (25.4)
DLMSPM-18-01	1-1/8 (28.6)
DLMSPM-20-01	1-1/4 (31.7)
DLMSPM-22-01	1-3/8 (34.9)
DLMSPM-24-01	1-1/2 (38.1)

Part available in V-0 material by special order. To order, replace -01 with -19.

# CIRCUIT BOARD HARDWARE

## LCBSB

### Locking Circuit Board Support on Base



Material: Nylon 6/6, RMS-01  
Color: Blue

Part Number	Standard Pack: 1,000 per bag
	"A" ± 0.4mm
LCBSB-6M-01A-RT	6.0mm
LCBSB-8M-01A-RT	8.0mm
LCBSB-10M-01A-RT	10.0mm
LCBSB-12M-01A-RT	12.0mm
LCBSB-14M-01A-RT	14.0mm
LCBSB-16M-01A-RT	16.0mm

Part available in V-0 material by special order. To order, replace -01 with -19.  
Part also available without adhesive. To order, remove A-RT. For new "A" dimension subtract 1/32" (0.8mm).  
Adhesive Backing, RMS-15

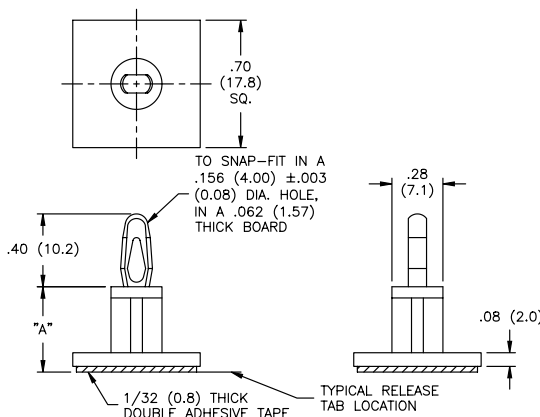
Material: Nylon 6/6, RMS-01  
Color: Natural

Part Number	Standard Pack: 1,000 per bag
	"A" ± .015 (0.4)
LCBSB-3-01A-RT	3/16 (4.8)
LCBSB-4-01A-RT	1/4 (6.4)
LCBSB-6-01A-RT	3/8 (9.5)
LCBSB-8-01A-RT	1/2 (12.7)
LCBSB-10-01A-RT	5/8 (15.9)
LCBSB-12-01A-RT	3/4 (19.1)
LCBSB-14-01A-RT	7/8 (22.2)
LCBSB-16-01A-RT	1 (25.4)
LCBSB-18-01A-RT	1-1/8 (28.6)

Part available in V-0 material by special order. To order, replace -01 with -19.  
Part also available without adhesive. To order, remove A-RT. For new "A" dimension subtract 1/32" (0.8 mm).  
Adhesive Backing, RMS-15  
SCBSB-XX-01A-RT with .30" long, #6-32 threaded stud top available by special order. Use part number HN#6-32-01 as a mating nut. SCBSB available in V-0 material by special order. To order, replace -01 with -19.

## CBSB

### Circuit Board Support on Base



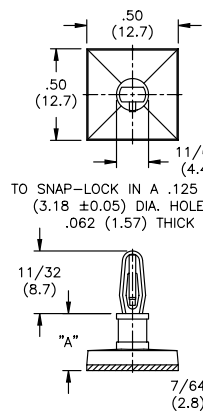
Material: Nylon 6/6, RMS-01  
Color: Natural

Part Number	Standard Pack: 1,000 per bag
	"A" ± .015 (0.4)
CBSB-3-01A-RT	3/16 (4.8)
CBSB-4-01A-RT	1/4 (6.4)
CBSB-6-01A-RT	3/8 (9.5)
CBSB-8-01A-RT	1/2 (12.7)
CBSB-10-01A-RT	5/8 (15.9)
CBSB-12-01A-RT	3/4 (19.1)
CBSB-14-01A-RT	7/8 (22.2)
CBSB-16-01A-RT	1 (25.4)
CBSB-18-01A-RT	1-1/8 (28.6)

Part available in V-0 material by special order. To order, replace -01 with -19.  
Part also available without adhesive. To order, remove A-RT. For new "A" dimension subtract 1/32" (0.8 mm).  
Adhesive Backing, RMS-15

## LCBSBM

### Locking Circuit Board Support on Base, Mini



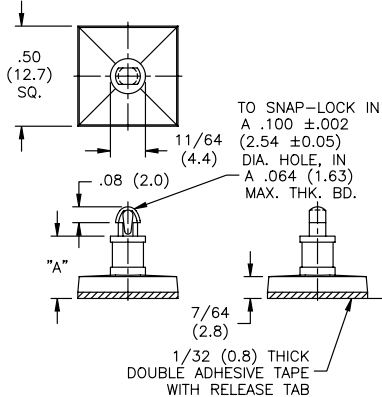
Material: Nylon 6/6, RMS-01  
Color: Natural

Part Number	Standard Pack: 1,000 per bag
	"A" ± .015 (0.4)
LCBSBM-3-01A-RT	3/16 (4.8)
LCBSBM-4-01A-RT	1/4 (6.4)
LCBSBM-5-01A-RT	5/16 (7.9)
LCBSBM-6-01A-RT	3/8 (9.5)
LCBSBM-7-01A-RT	7/16 (11.1)
LCBSBM-8-01A-RT	1/2 (12.7)
LCBSBM-9-01A-RT	9/16 (14.3)
LCBSBM-10-01A-RT	5/8 (15.9)

Part available in V-0 material by special order, to order, replace -01 with -19  
Part also available without adhesive. To order, remove A-RT. For new "A" dimension subtract 1/32" (0.8mm).  
Adhesive Backing, RMS-15

## CBSBT

### Circuit Board Support on Base, Teardrop



Material: Nylon 6/6, RMS-01  
Color: Natural

Part No.	Standard Pack: 1000 per bag
	"A" ± .015 (0.4)
CBSBT-3-01A-RT	3/16 (4.8)
CBSBT-4-01A-RT	1/4 (6.4)
CBSBT-5-01A-RT	5/16 (7.9)
CBSBT-6-01A-RT	3/8 (9.5)
CBSBT-7-01A-RT	7/16 (11.1)
CBSBT-8-01A-RT	1/2 (12.7)
CBSBT-9-01A-RT	9/16 (14.3)
CBSBT-10-01A-RT	5/8 (15.9)

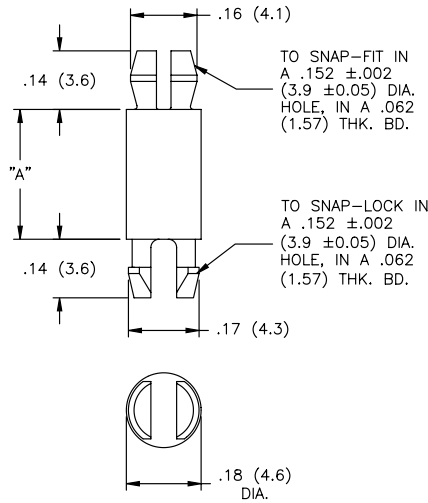
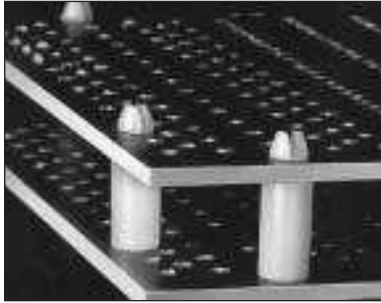
Part available in V-0 material by special order. To order, replace -01 with -19.  
Adhesive Backing, RMS-15  
Part also available without adhesive. To order, remove A-RT. For new "A" dimension subtract 1/32" (0.8mm)  
CCBSBT-XX-01A-RT with Cupped, Teardrop-style top available by special order. CCBSBT available in V-0 material by special order. To order, replace -01 with -19.

# CIRCUIT BOARD HARDWARE

A

## MSP

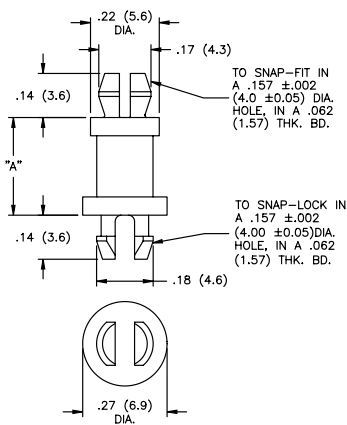
### Miniature Support Post



Material: Nylon 6/6, RMS-01 Color: Natural Part Number	Material: Flame Retardant Nylon 6/6, RMS-19 Color: Natural Part Number	Standard Pack: 1,000 per bag "A" ± .015 (0.4)
MSP-2-01	MSP-2-19	1/8 (3.2)
MSP-3-01	MSP-3-19	3/16 (4.8)
MSP-4-01	MSP-4-19	1/4 (6.4)
MSP-5-01	MSP-5-19	5/16 (7.9)
MSP-6-01	MSP-6-19	3/8 (9.5)
MSP-7-01	MSP-7-19	7/16 (11.1)
MSP-8-01	MSP-8-19	1/2 (12.7)
MSP-9-01	MSP-9-19	9/16 (14.3)
MSP-10-01	MSP-10-19	5/8 (15.9)
MSP-11-01	MSP-11-19	11/16 (17.5)
MSP-12-01	MSP-12-19	3/4 (19.1)
MSP-13-01	MSP-13-19	13/16 (20.6)
MSP-14-01	MSP-14-19	7/8 (22.2)
MSP-16-01	MSP-16-19	1 (25.4)
MSP-18-01	MSP-18-19	1-1/8 (28.6)
MSP-20-01	MSP-20-19	1-1/4 (31.7)
MSP-22-01	MSP-22-19	1-3/8 (34.9)
MSP-24-01	MSP-24-19	1-1/2 (38.1)

## MSPS

### Miniature Support Post



Material: Nylon 6/6, RMS-01 Color: Natural	
Part Number	Standard Pack: 1,000 per bag "A" ± .015 (0.4)
MSPS-3-01	3/16 (4.8)
MSPS-4-01	1/4 (6.4)
MSPS-5-01	5/16 (7.9)
MSPS-6-01	3/8 (9.5)
MSPS-7-01	7/16 (11.1)
MSPS-8-01	1/2 (12.7)
MSPS-10-01	5/8 (15.9)
MSPS-11-01	11/16 (17.5)
MSPS-12-01	3/4 (19.1)
MSPS-14-01	7/8 (22.2)

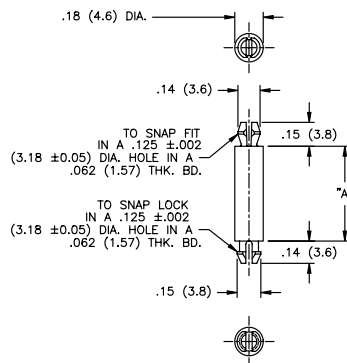
Part available in V-0 material as a standard. To order, replace -01 with -19.

#### Features

- Shoulder added to facilitate automated assembly and added stability

## MSPM

### Mini Support Post, Micro

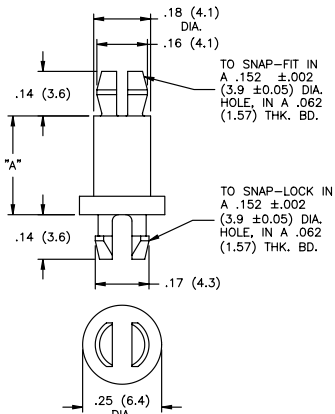


Material: Nylon 6/6, RMS-01 Color: Natural	
Part Number	Standard Pack: 1,000 per bag "A" ± .015 (0.4)
MSPM-2-01	1/8 (3.2)
MSPM-3-01	3/16 (4.8)
MSPM-4-01	1/4 (6.4)
MSPM-5-01	5/16 (7.9)
MSPM-6-01	3/8 (9.5)
MSPM-7-01	7/16 (11.1)
MSPM-8-01	1/2 (12.7)
MSPM-9-01	9/16 (14.3)
MSPM-10-01	5/8 (15.9)
MSPM-12-01	3/4 (19.1)
MSPM-13-01	13/16 (20.6)
MSPM-14-01	7/8 (22.2)
MSPM-16-01	1 (25.4)
MSPM-18-01	1-1/8 (28.6)
MSPM-20-01	1-1/4 (31.7)
MSPM-22-01	1-3/8 (34.9)
MSPM-24-01	1-1/2 (38.1)

Part available in V-0 material as a standard. To order, replace -01 with -19.

## MSPE

### Miniature Support Post



Material: Nylon 6/6, RMS-01 Color: Natural	
Part Number	Standard Pack: 1,000 per bag "A" ± .015 (0.4)
MSPE-3-01	3/16 (4.8)
MSPE-4-01	1/4 (6.4)
MSPE-5-01	5/16 (7.9)
MSPE-6-01	3/8 (9.5)
MSPE-7-01	7/16 (11.1)
MSPE-8-01	1/2 (12.7)
MSPE-10-01	5/8 (15.9)
MSPE-11-01	11/16 (17.5)
MSPE-12-01	3/4 (19.1)
MSPE-14-01	7/8 (22.2)

Part available in V-0 material as a standard. To order, replace -01 with -19.

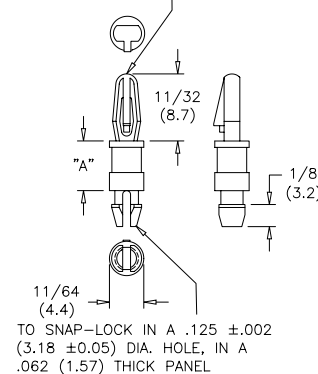
#### Features

- Shoulder added to facilitate automated assembly and added stability

## LMSP

### Locking Miniature Support Post

TO SNAP-LOCK IN A .125 ±.002 (3.18 ±0.05) DIA. HOLE, IN A .062 (1.57) THICK BOARD

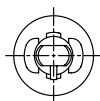


Mat'l: Nylon 6/6, RMS-01 Color: Natural Part Number	Mat'l: Flame Ret. Nyl. 6/6, RMS-19 Color: Natural Part Number	Standard Pack: 1,000 per bag "A" ± .015 (0.4)
LMSP-2-01	LMSP-2-19	1/8 (3.2)
LMSP-3-01	LMSP-3-19	3/16 (4.8)
LMSP-4-01	LMSP-4-19	1/4 (6.4)
LMSP-5-01	LMSP-5-19	5/16 (7.9)
LMSP-6-01	LMSP-6-19	3/8 (9.5)
LMSP-7-01	LMSP-7-19	7/16 (11.1)
LMSP-8-01	LMSP-8-19	1/2 (12.7)
LMSP-9-01	LMSP-9-19	9/16 (14.3)
LMSP-10-01	LMSP-10-19	5/8 (15.9)
LMSP-12-01	LMSP-12-19	3/4 (19.1)
LMSP-14-01	LMSP-14-19	7/8 (22.2)

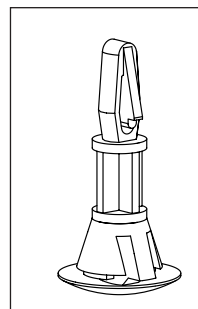
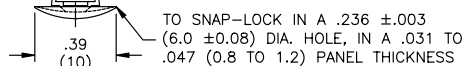
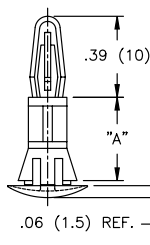
# CIRCUIT BOARD HARDWARE

## CRLCBSR

### Cupped Reverse Locking Circuit Board Support, Round Hole



TO SNAP-LOCK IN A  $.157 \pm .003$   
( $4.0 \pm 0.08$ ) DIA. HOLE, IN A  
.063 (1.6) NOMINAL THICK BOARD



Material: Nylon 6/6, RMS-01  
Color: Natural

Part No.	Standard Pack: 1000 per bag "A" $\pm .015$ (0.4)
CRLCBSR-3-01	3/16 (4.8)
CRLCBSR-4-01	1/4 (6.4)
CRLCBSR-5-01	5/16 (7.9)
CRLCBSR-6-01	3/8 (9.5)
CRLCBSR-8-01	1/2 (12.7)
CRLCBSR-12-01	3/4 (19.1)

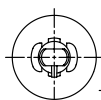
Part available in V-0 material by special order. To order, replace -01 with -19.

#### Features

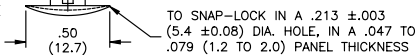
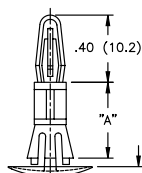
- Cupped head provides tight holding in a chassis with a wide tolerance

## CRLCBSRE

### Cupped Reverse Locking Circuit Board Support, Round Hole



TO SNAP-LOCK IN A  $.157 \pm .003$   
( $4.0 \pm 0.08$ ) DIA. HOLE, IN A  
.063 (1.6) NOMINAL THICK BOARD



Material: Nylon 6/6, RMS-01  
Color: Natural

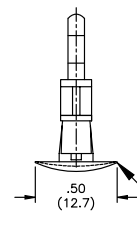
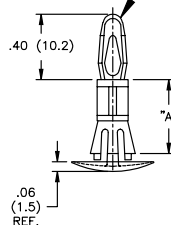
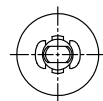
Part No.	Standard Pack: 1000 per bag "A" $\pm .015$ (0.4)
CRLCBSRE-4-01	1/4 (6.4)
CRLCBSRE-6-01	3/8 (9.5)
CRLCBSRE-8-01	1/2 (12.7)
CRLCBSRE-10-01	5/8 (15.9)

Part available in V-0 material by special order. To order, replace -01 with -19.

## CRCBSRE

### Cupped Reverse Circuit Board Support, Round Hole

TO SNAP-FIT IN A  $.156 \pm .003$   
( $4.00 \pm 0.08$ ) DIA HOLE, IN A  
.062 (1.57) THICK BOARD



Material: Nylon 6/6, RMS-01  
Color: Natural

Part No.	Standard Pack: 1000 per bag "A" $\pm .015$ (0.4)
CRCBSRE-3-01	3/16 (4.8)
CRCBSRE-4-01	1/4 (6.4)
CRCBSRE-6-01	3/8 (9.5)
CRCBSRE-8-01	1/2 (12.7)
CRCBSRE-10-1	5/8 (15.9)

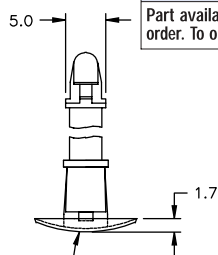
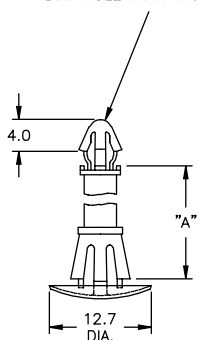
Part available in V-0 material by special order. To order, replace -01 with -19.



## CRLCBSK-2

### Cupped Reverse Locking Circuit Board Support Metric

TO SNAP-LOCK IN A  $4.00 \pm 0.08$   
DIA. HOLE IN A 1.6 PANEL THKS.



TO SNAP LOCK INTO A  $5.40 \pm 0.08$   
DIA. HOLE IN A 1.0-1.6 THICK CHASSIS

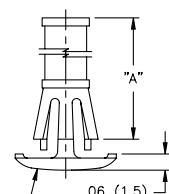
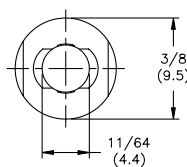
Material: Nylon 6/6, RMS-01  
Color: Natural

Part No.	Standard Pack: 1000 per bag "A" $\pm 0.4$ mm
CRLCBSK-2-8-01	8.0 mm
CRLCBSK-2-10-01	10.0 mm
CRLCBSK-2-12-01	12.0 mm
CRLCBSK-2-14-01	14.0 mm

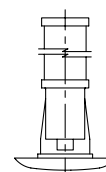
Part available in V-0 material by special order. To order, replace -01 with -19.

## RLCBSRS

### Reverse Locking Circuit Board Support, Round Hole Standoff



TO SNAP-LOCK IN A  $.187 \pm .003$   
( $4.75 \pm 0.08$ ) DIA. HOLE, IN A  
.059 (1.50) TO  $.063$  (1.60)  
THICK PANEL/CHASSIS



Material: Nylon 6/6, RMS-01  
Color: Natural

Part No.	Standard Pack: 1000 per bag "A" $\pm .015$ (0.4)
RLCBSRS-4-01	1/4 (6.4)
RLCBSRS-5-01	5/16 (7.9)
RLCBSRS-6-01	3/8 (9.5)
RLCBSRS-7-01	7/16 (11.1)
RLCBSRS-8-01	1/2 (12.7)
RLCBSRS-9-01	9/16 (14.3)
RLCBSRS-10-01	5/8 (15.9)

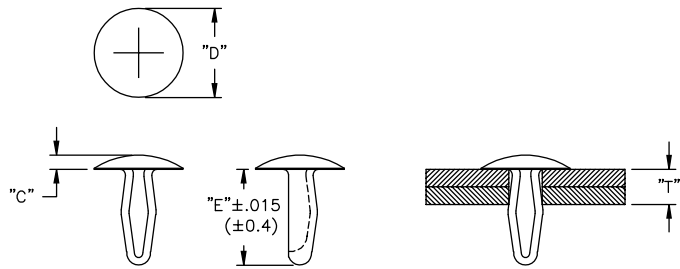
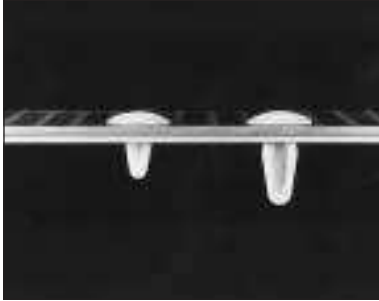
Part available in V-0 material by special order. To order, replace -01 with -19.

#### Features

- Supports heavy loaded PC boards; often used with Richco RLCBSR Series

# RIVETS, BUMPERS & FEET

## MMB Mini-Mounting Button

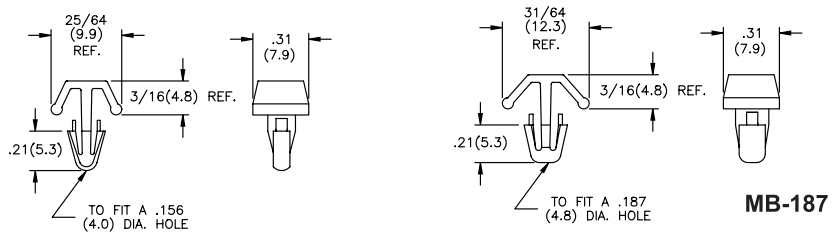
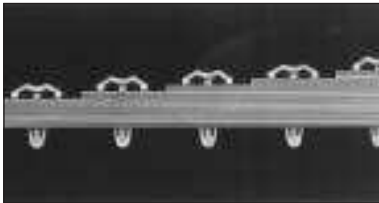


**NOTE:**  
Other head styles and sizes available by special order

Material: Nylon 6/6, RMS-01 • Color: Natural or Black, specify when ordering					
Part No.	Standard Pack: 1000 per bag				
	Mounting Hole Dia.	"T"	"C"	"D"	"E"
MMB-125-01	.123-.127 (3.10-3.22)	.08-.10 (2.0-2.5)	.04 (1.0)	.27 (6.9)	.33 (8.4)
MMB-136-01	.131-.141 (3.32-3.58)	.12-.16 (2.9-4.0)	.07 (1.7)	.41 (10.3)	.44 (11.1)
MMB-187-01	.182-.192 (4.61-4.88)	.10-.16 (2.5-4.0)	.09 (2.2)	.50 (12.7)	.43 (10.9)
MMB-250-01	.247-.253 (6.27-6.42)	.10-.22 (2.5-5.6)			.64 (16.3)

Flame Retardant Nylon, RMS-19 available by special order. To order, replace -01 with -19.  
To order black, use Part No. MMB-XXX-01B.

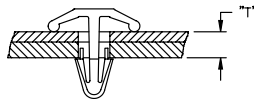
## MB Mounting Button



### Features

- Ideal for applications where metal screws or rivets cannot be used
- Barbed arrow locks securely; releasable from underside of board

### MB-156

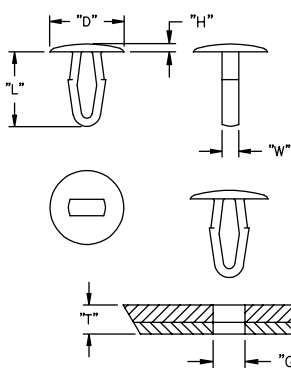


Material: Nylon 6/6, RMS-01 • Color: Natural		
Part Number	Standard Pack: 1000 per bag	
	"T" Recommended	
MB-1-156	MB-1-187	1/32 (0.8) - 3/32 (2.4)
MB-3-156	MB-3-187	3/32 (2.4) - 5/32 (4.0)
MB-5-156	MB-5-187	3/16 (4.8) - 7/32 (5.6)
MB-7-156	MB-7-187	7/32 (5.6) - 9/32 (7.1)
MB-9-156	MB-9-187	5/16 (7.9) - 3/8 (9.5)
MB-11-156	MB-11-187	3/8 (9.5) - 7/16 (11.1)
MB-13-156	MB-13-187	7/16 (11.1) - 1/2 (12.7)
MB-15-156	MB-15-187	1/2 (12.7) - 9/16 (14.3)
MB-17-156	MB-17-187	9/16 (14.3) - 5/8 (15.9)

Flame Retardant Nylon, RMS-19 available by special order.  
To order, add -19

"Impact Modified" Nylon 6/6, RMS-73 material available by special order. To order, replace -01 with -73.

## DF Drive Fasteners



Material: Acetal, RMS-14 or V-O Rated Polyester, RMS-111							
Part No.	Material: Polyester UL94 V-0, RMS-111 Color: Natural	Standard Pack: 1000 per bag					
		Hole Dia. "G" ±.002 (0.05)	"T" Total Thickness Range	"D" ±.010 (0.25)	"H" ±.010 (0.25)	"L" Ref.	"W" Ref.
DF-137-010	—	.126 (3.2)	.039 - .177 (1.0-4.5)	.315 (8.0)	.059 (1.5)	.512 (13.0)	.106 (2.7)
DF-137-020	DFV0-137-020	.153 (3.9)	.039 - .197 (1.0-5.0)	.354 (9.0)	.063 (1.6)	.551 (14.0)	.116 (2.9)
DF-137-030	DFV0-137-030	.185 (4.7)	.039 - .216 (1.0-5.5)	.394 (10.0)	.067 (1.7)	.590 (15.0)	.134 (3.4)
DF-137-031	DFV0-137-031	.185 (4.7)	.039 - .216 (1.0-5.5)	.433 (11.0)	.114 (2.9)	.590 (15.0)	.134 (3.4)
DF-137-040	DFV0-137-040	.252 (6.4)	.059 - .256 (1.5-6.5)	.472 (12.0)	.079 (2.0)	.669 (17.0)	.153 (3.9)
DF-137-050	—	.307 (7.8)	.059 - .275 (1.5-7.0)	.551 (14.0)	.087 (2.2)	.748 (19.0)	.166 (4.2)
DF-137-060	—	.216 (5.5)	.236 - .354 (6.0-9.0)	.472 (12.0)	.079 (2.0)	.709 (18.0)	.150 (3.8)

### Features

- Hollow body increases flexibility during insertions and removal process